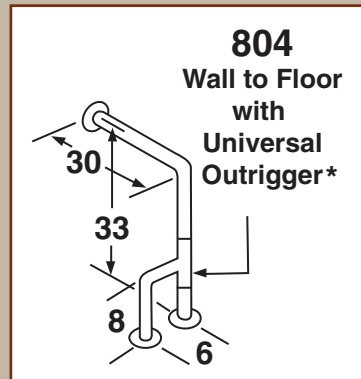
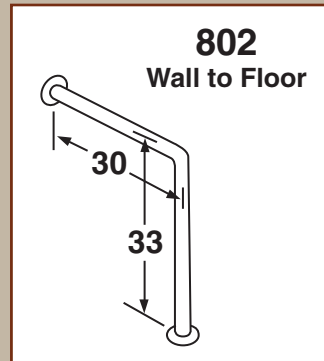
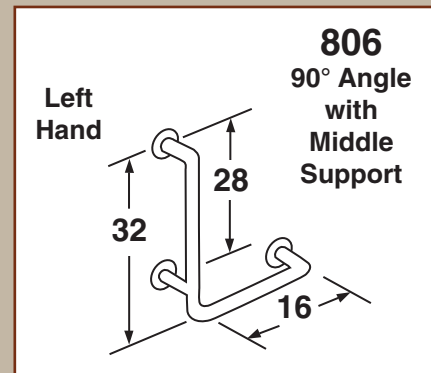
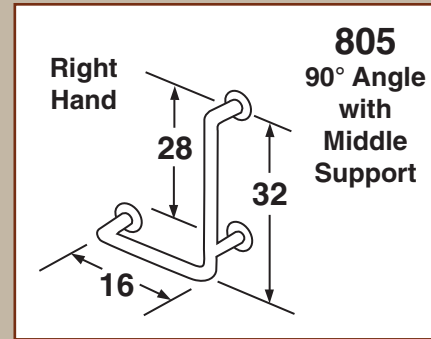
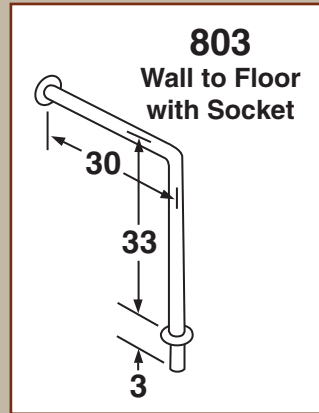
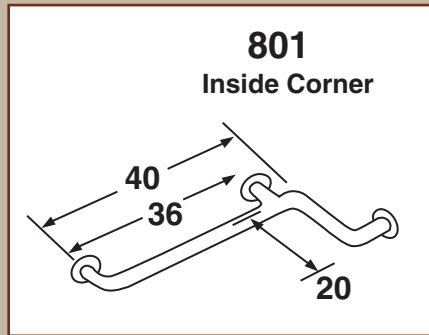


C.D. Sparling

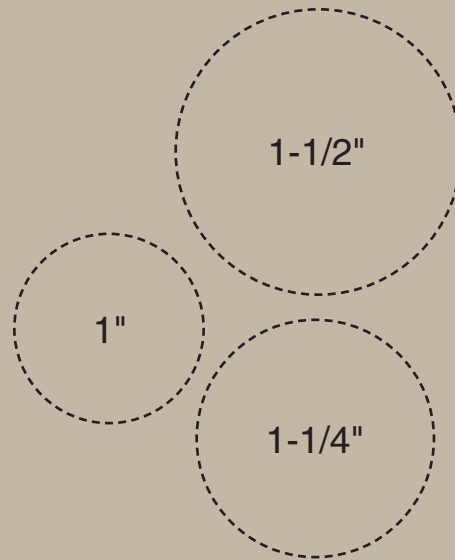
Special Configurations

All H and G Series grab bars are manufactured with 18 gauge (.049) Type 304 stainless steel tubing. Special configurations are available in 1-1/2" and 1-1/4" diameter.



*804 only available in HL & GL configurations.

Bar Diameters



Shower Rods and Mounting Hardware

Shower rods are available in two styles. Both styles are manufactured with 1" diameter, 20 gauge (.035) polished stainless steel tubing. Each style is available in 60" or 72" lengths.



Angled shower rod with concealed flanges:
HL-60SR or HL-72SR (adds 7-1/2" of showering area).

Straight shower rod with concealed flanges: HS-60SR or HS-72SR.

C.D. Sparling



Introducing the new
Essence Series

Polished Stainless Steel
Grab Bars and Shower Rods

Designers and Manufacturers
of Self Help Products



The C.D. Sparling Company
498 Farmer Street | Plymouth, MI 48170
P: 734.455.3121 | F: 734.455.7322
info@cdsparling.com | www.cdsparling.com

Produced by
The Northwest Group
Wixom, Michigan

C.D. Sparling

Stainless Steel Grab Bars



GL Series

GL Series (1-1/2" dia.) grab bars are manufactured with Type 304 stainless steel tubing. The series features 24 gauge (.024) rectangular concealing covers.



Bar Length	Series
	GL
14"	GL-14 Satin
16"	GL-16 Satin
18"	GL-18 Satin
24"	GL-24 Satin
30"	GL-30 Satin
32"	GL-32 Satin
36"	GL-36 Satin
42"	GL-42 Satin
48"	GL-48 Satin

Use the chart at the right when selecting length.

introducing the new . . .

Essence Series

The Essence Series is available in three diameters – SE Series (1" dia.), QE Series (1-1/4" dia.) and LE Series (1-1/2" dia.). Grab bars are manufactured with 18 gauge (.049) Type 304 stainless steel tubing with 2-1/4" diameter 11 gauge (.125) stainless steel mounting flanges. Available finishes are polished or satin. Use the chart below when selecting length.

- Space efficiency - mounts in less space
- New designer look
- Available in 3 diameters and 8 lengths
- Mirror polished and satin finishes are available
- Easy to install



HL and HQ Series

HL Series (1-1/2" dia.) and HQ Series (1-1/4" dia.) grab bars are manufactured with Type 304 stainless steel tubing. The series features 3" diameter 16 gauge (.065) stainless steel mounting flanges concealed with 24 gauge (.024) stainless steel round covers. Available finishes are polished or satin.



Use the chart below when selecting length.

Bar Length	Series	
	HL	HQ
12"	HL-12 Polished or Satin	HQ-12 Polished or Satin
16"	HL-16 Polished or Satin	HQ-16 Polished or Satin
18"	HL-18 Polished or Satin	HQ-18 Polished or Satin
24"	HL-24 Polished or Satin	HQ-24 Polished or Satin
30"	HL-30 Polished or Satin	HQ-30 Polished or Satin
36"	HL-36 Polished or Satin	HQ-36 Polished or Satin
42"	HL-42 Polished or Satin	HQ-42 Polished or Satin
48"	HL-48 Polished or Satin	HQ-48 Polished or Satin

Sample Grab Bar Order:

HL-24 Polished

1-1/2" diameter polished stainless steel tubing, 24 inch mounting center, round concealed covers.

HL - 24 - Polished

Series Diameter Length Finish

Bar Length	Series		
	SE	QE	LE
16"	SE-16 Polished or Satin	QE-16 Polished or Satin	LE-16 Polished or Satin
18"	SE-18 Polished or Satin	QE-18 Polished or Satin	LE-18 Polished or Satin
24"	SE-24 Polished or Satin	QE-24 Polished or Satin	LE-24 Polished or Satin
30"	SE-30 Polished or Satin	QE-30 Polished or Satin	LE-30 Polished or Satin
32"	SE-32 Polished or Satin	QE-32 Polished or Satin	LE-32 Polished or Satin
36"	SE-36 Polished or Satin	QE-36 Polished or Satin	LE-36 Polished or Satin
42"	SE-42 Polished or Satin	QE-42 Polished or Satin	LE-42 Polished or Satin
48"	SE-48 Polished or Satin	QE-48 Polished or Satin	LE-48 Polished or Satin